

WELLNESS

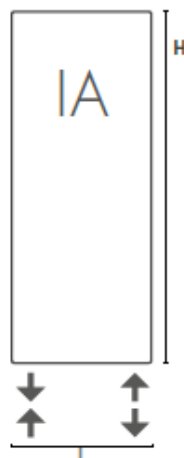


COBRILLO

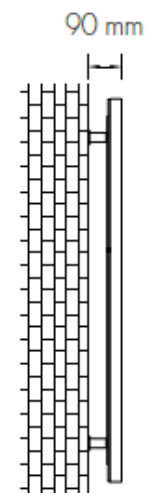
IULIA

Scheda tecnica - [Data sheet](#)

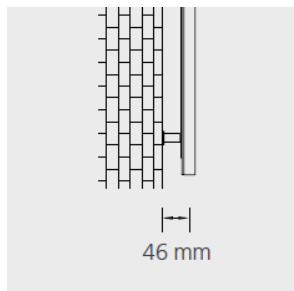
IULIA



$l = 343 \text{ mm}$
disponibile/available $l = 50 \text{ mm}$



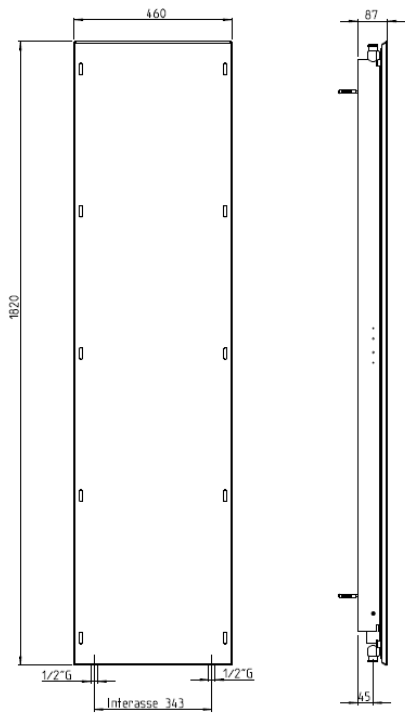
INTERASSE VALVOLE (1)
VALVE CENTER DISTANCE (1)



INTERASSE MURO CENTRO VALVOLA
DISTANCE BETWEEN WALL AND VALVE CENTER

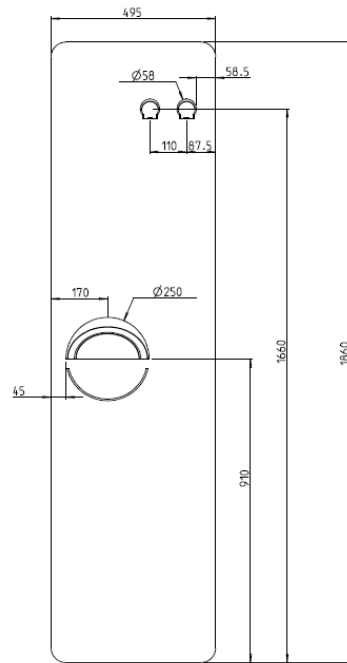


Body

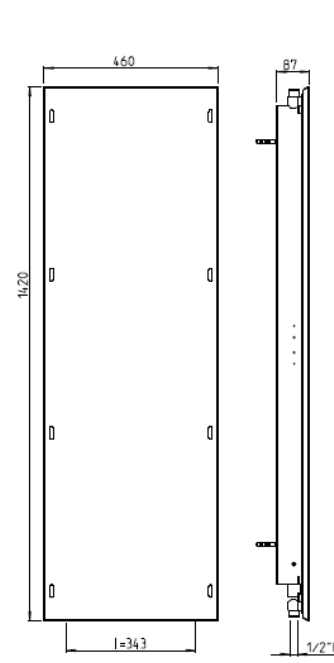


Body H = 1820 mm

Cover

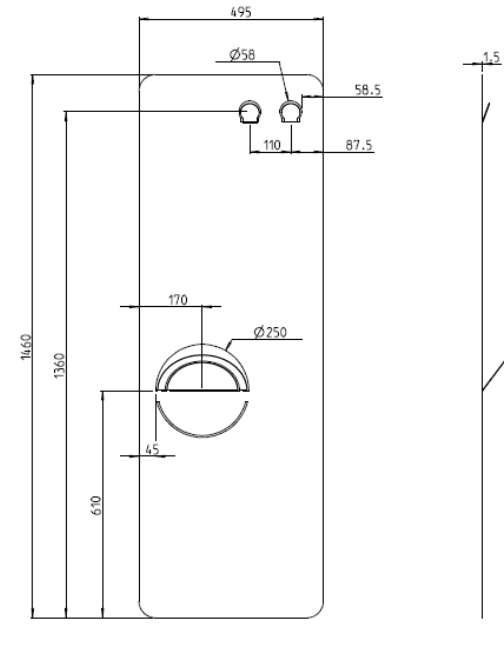


Body



Body H = 1420 mm

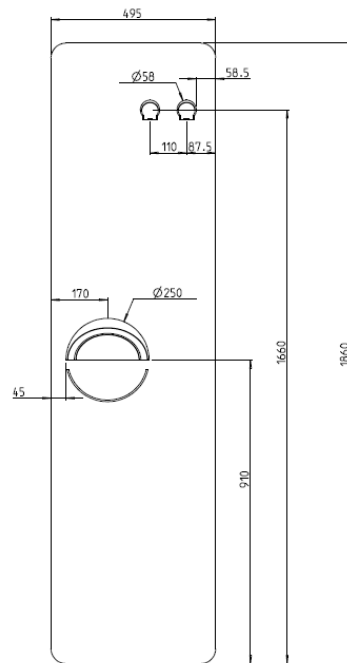
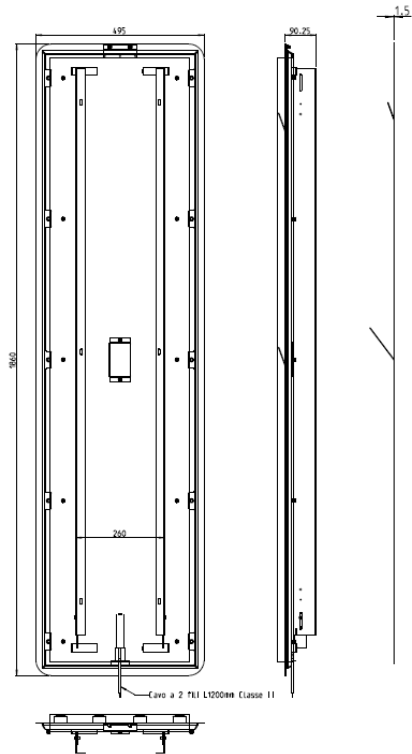
Cover





Body

Cover



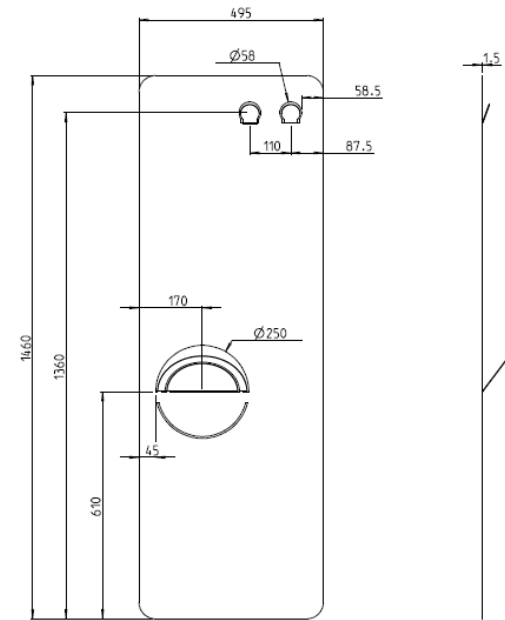
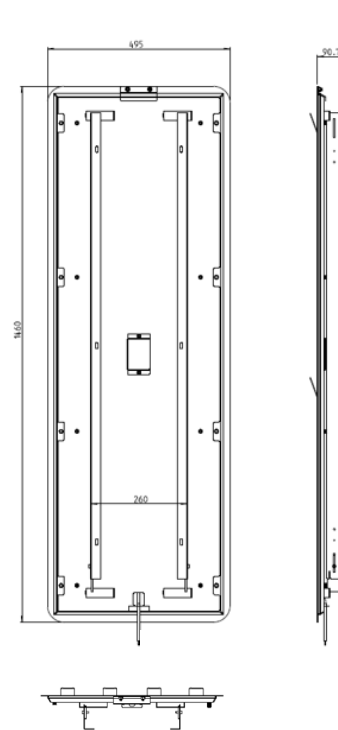
Mod. 01204601820EA0
 220 - 240 V ~ 50/60 Hz 900W IP21

Body H = 1820 mm



Body

Cover



Mod. 01204601420EA0
 220 - 240 V ~ 50/60 Hz 700W IP21

Body H = 1420 mm



DIMENSIONI - DIMENSION



NAME	CODE	L	H	W	COLOR	VERSION
BODY	01204601420EA0STR7044OP	0460	1420	700	7044	SMART BASIC
BODY	01204601420EA2STR7044OP	0460	1420	700	7044	SMART SMART
BODY	01204601820EA0STR7044OP	0460	1820	900	7044	BASIC BASIC
BODY	01204601820EA2STR7044OP	0460	1820	900	7044	SMART SMART
BODY	01204601420IIASTR7044OP	0460	1420	573	7044	Water drop icon
BODY	01204601820IIASTR7044OP	0460	1820	783	7044	Water drop icon
IULIA	02204951460000STR9016OP	0495	1460	-	9016	N.D.
IULIA	02204951860000STR9016OP	0495	1860	-	9016	N.D.

COLORI - COLORS

STANDARD COLOR	OPZIONI COLORI COLOR OPTIONS
per tutti i prodotti: for all products:	per collezione body&cover: for body and cover collections:
Ral 9016 OP	+15%*
	Ral 7006
solo per la collezione body: only for body collection:	Ral 7015
BODY	Ral 7023
Ral 7044 OP	Ral 7044
	Ral 9005
Ral 9016 OP	

VERSIONE SMART - SMART VERSION





COBRILLO

Cobrillo s.r.l.
via Torrione 30/I - 28021 BORGOMANERO - NO
Tel. 0322068247
E-mail info@cobrillo.com
C.F. e Partita IVA 02549080030
Reg. Imprese - Nr. REA
www.cobrillo.com