

WELLNESS

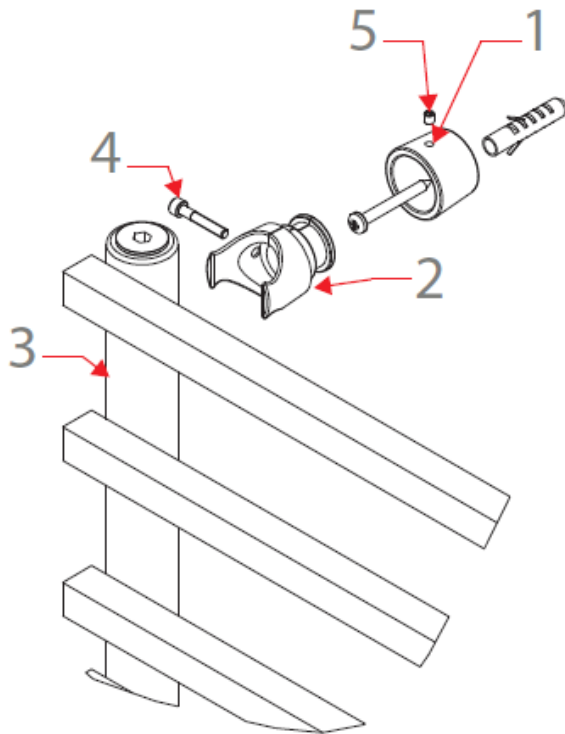


COBRILLO

Instruction and use manual
Electric radiators

ASSEMBLY INSTRUCTIONS

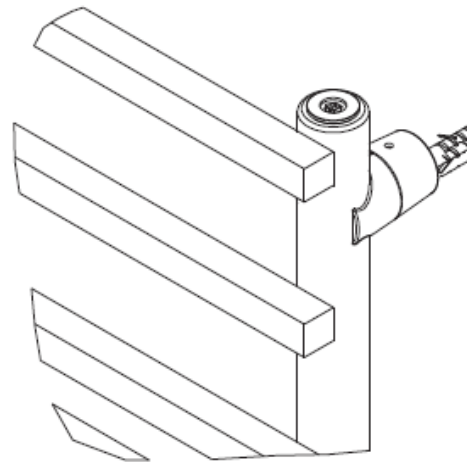
- Attention the installation of the heating elements must be carried out by qualified personnel.
- Fasten the wall attachment (1) to the wall using an anchor or anchoring system suitable for the type of existing wall.
- Insert the claws (2) on the manifold (3) by slightly tightening the screw (4). Insert the cylinder of the claw into the wall fixing and close the dowel (5). Tighten the screw (4).
- In electric radiators there are normally four wall connections.
- Make sure the radiator is securely attached.
- Attention, do not climb on the radiator for any reason, do not overload it



THE CONTENTS OF THE BOX

The packaging contains:

- Wall fixing brackets painted with Polyester powders in the same color as the radiator
- ½ "manual air vent valve and male cap with ½" o-ring
- Instruction and use manual
- Keep the original packaging until the radiator is completely installed



USE

- THE RADIATOR MUST BE INSTALLED by a specialized technician, following the regulations in force in the country of installation.
- Before connecting the appliance to the electrical voltage, make sure that the connection values shown on the plate located on the appliance correspond to those of the electrical network, if in doubt, consult a qualified professional
- When fixing the heated towel rail to the wall, pay particular attention not to damage the electronic thermostat and the electrical connection cable.
- Check that there are no damages on the power supply cable and on any part of the radiator, if there are, immediately disconnect the power supply and call a specialized technician or Cobrillo technical assistance

MAINTENANCE

Dear Customer, Cobrillo products have been designed and built for convective radiant domestic heating, the installation of which must be done only and exclusively by qualified technicians who are aware of the safety regulations in force in the place of installation. However, the following generalities must also be respected:

- The heated towel rails should be cleaned periodically using a soft cloth slightly moistened with water to avoid damaging the painted and / or chromed surface. Cleaning the radiator should always be done with the radiator cold.
- Avoid putting wet cloths on the surface of the radiator, you could speed up a corrosion process or damage its surface treatment.
- Periodically check the anchoring of the radiator to the wall. If the radiator should become detached from the wall it could cause very serious damage to people, animals, things

TECHNICAL FEATURES

- The technical characteristics are shown on the plate located on the appliance
- The association between the electric heater and the radiator model allows to have a surface temperature of the same not higher than about 70 ° C.
- The towel radiator in question is loaded at the factory with a quantity of special liquid to optimize the transmission of heat. For this reason, in the event that the special liquid escapes from the radiator, repairs must only be carried out by the manufacturer.
- Any tampering that immediately invalidates the warranty is prohibited.
- The thermostat can only work in pairs with a specially prepared electrical resistance, equipped with safety devices to limit excess temperatures and make the system safe should anomalous factors intervene (see Warnings and putting into use).
- Cobrillo products are protected by a varnish obtained with the use of thermosetting powders. The products are painted after careful preparation to improve the corrosion resistance that guarantees the integral and long-lasting protection of all surfaces, the regularity of the layers of paint deposited and greater resistance to aggressions.

SAFETY WARNINGS

- THE RADIATOR MUST BE INSTALLED by a specialized technician, following the regulations in force in the country of installation
- THE RADIATOR MUST ALWAYS BE CONNECTED TO AN ENVIRONMENT THERMOSTAT, as specified in current regulations
- The heated towel rail is to be used only for the use described in the manual
- The heated towel rail is delivered in an appropriate packaging; remove it only after installing it
- Do not place it on the ground or on the wall on the front side, but only on the rear side
- Do not apply accessories other than those prescribed or recommended by the manufacturer to the radiator
- Only connect the heated towel rail to the mains after fixing it to the wall
- Children under 3 years old must be kept away unless they are under constant surveillance. Children between 3 and 14 years of age and people with reduced physical, sensory and mental abilities, or lacking appropriate experience or knowledge, can use the heated towel rail, provided that it has been positioned or installed in the normal position expected and have received instructions and training on how to use the appliance safely and understand its potential dangers well. Children under the age of 14 must not connect the power plug, adjust or clean the appliance.
- If the power cable is damaged, the repair or replacement of the complete electric heater must be carried out directly by the manufacturer or by the technical assistance service.
- Do not use corrosive, abrasive or solvent products to clean the radiator and the plastic parts containing the electrical parts
- Avoid installing the heaters in areas exposed to aggressive acids or vapors
- The heated towel rails can be used to heat, to keep the towel warm or to warm the fabrics but not to dry the laundry
- Do not place weights over 5kg on the radiator
- Check that there are no fluid leaks, in the event of a leak, immediately close the radiator using the valves and call Cobrillo technical assistance or a specialized technician.
- IT IS ABSOLUTELY FORBIDDEN:
- Cut, damage or modify the power cord

WARRENTY

- COBRILLO SRL guarantees the products illustrated in the terms and for the period of time established by the national law transposing the WARRANTIES Directive 1999/44 / EC and 2011/83 / EU, in force in the country in which the customer (consumer) purchased the product with brand COBRILLO SRL. The COBRILLO SRL guarantee is not in any case a substitute for the one provided for by law.
- The WARRANTY starts from the purchase date proven by a document with fiscal validity (invoice, tax receipt or sales receipt) showing the indication of the product itself.
- In case of defects in material or workmanship, COBRILLO SRL will repair, replace defective parts or replace the entire product free of charge in accordance with the WARRANTY Directive 1999/44 / EC, excluding any other form of compensation, both legal and conventional. without prejudice to legal obligations.
- The warranty will be effective after examining the defects and their causes at the Cobrillo Srl headquarters. The material to be replaced or repaired must be delivered ex warehouse to Cobrillo Srl.
- Any replacement of defective components or part of the aforementioned products will not extend the original warranty period. The warranty on replaced parts will therefore cease together with the expiry of the warranty period initially established on the complete product.
- In the event of defects in material or workmanship, Cobrillo Srl. Will replace the defective part free of charge or repair / replace the entire product, at its discretion and in any case in compliance with the terms of the law; all forms of compensation, both legal and conventional, are strictly excluded, except as required by mandatory rules
- The warranty lapses if the indication of the production batch is tampered with and / or removed.
- The manufacturer declines any responsibility for any damage that may, directly or indirectly, derive to people or pets or things as a result of failure to comply with all the requirements indicated in the specific product assembly and maintenance instruction booklet.
- Parts of the product which, sent for repair to an authorized COBRILLO SRL site, are damaged during the journey are not considered as guarantees.

The warrenty only works if :

- the customer has made the balance of payments within the pre-established terms;
- the material has been stored in good condition and protected from the weather before being installed
- the material has not been damaged during transport, handling or installation;
- there has been no tampering or repair of the products without the authorization of Cobrillo Srl;
- Periodic emptying or loading of the system has not been carried out;
- The characteristics of the system follow the values of the UNI 8065 standard;
- The caps and accessories used are those regularly supplied by Cobrillo;
- the radiators are not connected to the domestic hot water system or to systems with an open expansion tank;
- If a corrosion inhibitor is used, it is compatible with all the materials present in the heating bodies.
- the operating pressure and temperature indicated in the manual correspond to those of use;
- the circuit is free from metal, calamine, grease residues and there is no gas. Before starting the system, wash it to eliminate mechanical processing residues and / or residues during installation.
- the Customer does not make any changes or variations on his own initiative on the contested materials without our prior approval
- There are no damages to the product due to interventions by unauthorized personnel;
- There are no anomalies or faults dependent on the power supply network;
- There is no malfunction due to incorrect sizing;
- Original parts or spare parts used and authorized by COBRILLO SRL are used;
- There are no damages caused by accidents, fires, natural disasters, accidents in general;



EASY



SMART



BASIC

ELECTRICAL MODELS

- EASY – resistance with thermostat
- SMART – resistance with thermostat and receiver
- BASIC – only resistance

Index

ASSEMBLY INSTRUCTION	1
BOX CONTENT	1
USE	2
MAINTENANCE	2
TECNICAL CARACTERISTIC	2
SAFETY WARNING	2
WARRENTY	3
ELECTRICAL MODELS - OPTIONAL	4



Cobrillo s.r.l.
 via Torrione 30/1 - 28021 BORGOMANERO - NO
 Tel. 0322068247
 E-mail info@cobrillo.com
 C.F. e Partita IVA 02549080030
 Reg. Imprese - Nr. REA
 www.cobrillo.com